



Regd. Office & Factory:

Plot No. 129 & 130,

Ramakrishna Nagar, Vakalapudi,

Kakinada -533005

Corporate Office:

Flat No : 101 B, Jyothi Enclave,

Sardar Patel Nagar, Kukatpally

Hyderabad-500085.



COMPANY PROFILE

- ❑ **S Cube Energy and Infra Private Limited** is a recognized supplier and service provider
- ❑ As a **supplier of solar installations** and **ecological energy technology** we deliver integrated sustainable energy production solutions. That's what our employees are committed to.
- ❑ Our product portfolio comprises solar systems for private and commercial users as well as the public sector.
- ❑ With our leading expertise, we can provide you with an integrated PV package from the design & consultation stage to installation and performance monitoring.

"To be an integrated player across the Energy Value Chain, delivering quality power at competitive cost and creating superior value for all customers"

- Continue to provide and develop strong leadership with integrity.**
- To constantly strive for continuity of works, taking pride in our aim of delivering all projects safely, on budget and ahead of program, ultimately exceeding client expectation.**
- To recognize and encourage our employees ,providing skills development opportunities to help them developing their careers.**

“To be a company committed to “ON TIME & ON BUDGET” delivery, guaranteed performance and offering end-to-end electrical solutions to our customer”

- To achieve this, we are focused to provide a level of service that will exceed the expectations of our clients, maintain the highest level of quality and provide our employees an opportunity to grow and prosper.**

Our Endeavour :

- Aim to deliver best value at all times whilst continuing to develop our people skills through advanced technology training opportunities.**
- Operate an open and honest relationship with all of our clients and this includes joint decision making processes, agreed objectives and anticipated goals**

Great Customer Service:

Our personalized customer service and support team is the best in the industry at hassle-free communication and we give best solutions.

Be the Best:

We seek high operational standards to maintain long-term winning relationships with our customers and suppliers giving us a strong competitive foundation on which we can continue to build and grow as a brand.

Innovate and Stay Ahead:

In this rapidly expanding, competitive environment, personal communication with our suppliers is essential to providing innovative programs which contribute directly to their bottom line. It is OUR goal to deliver an exceptional program to suppliers allowing them to unlock and maximize the potential of each location.

"S CUBE ENERGY AND INFRA PVT.LTD"
(An 'ISO 9001:2008' Certified Company)





Our Expertise

At the fore front of innovative PV technology development, *S CUBE ENERGY AND INFRA Pvt. Ltd.,* has a diverse range of leading edge products to create and deliver the ideal bespoke Energy power solution for Customers. Working with Customers we can design , develop and install the solar system needed to deliver reduced utility and operating cost to improve carbon emissions.

We supply and install a large range of solar panels from the world's leading manufacturers , ranging in size , voltage and efficiency.

Areas of operation

- 🏠 Project consultants.
- 🏠 Technical Services.
- 🏠 Power projects development.
- 🏠 Renewable energy products.
- 🏠 Plant services.
- 🏠 Energy Solutions.

PROJECT CONSULTANTS

These include products such as

1. Solar
2. Thermal
3. Wind
4. Bio-mass

We also deals areas related to

Engineer Procurement Construction

PMC/ DESIGN/ FINANCE



Services we provide

- # Operation & Maintenance(O&M)service
- # Erection and Commissioning
- # Annual Maintenance Contract Service



- ❖ **Operation and Maintenance** include Plant Monitoring, Preventive Maintenance, Fault Detection & Analysis, Management of Repairs and Claims, PV Site Maintenance , Warranty and Service Management as well as Facility management.
- ❖ **Erection and Commissioning** primarily refers to the installation and professional oversight of major industrial plant facilities and large equipment installation by qualified design Engineers.
- ❖ **Annual Maintenance Contract Service** include Preventive services, Breakdown Services for all type of ATS & AMF Panels, Solar Pump Sets, Diesel Generators [Commercial & Domestic], Solar Rooftops, Solar Lighting, Solar Water Heaters Etc..,

Our Projects In ELECTRIC Field:

- ❖ 765kV Transmission line & towers Erection & stringing of 25 kms from Dharmapuri-Somanahalli, for M/s Aster Private Limited
- ❖ Testing and commissioning of Electrical equipment at Uppal depot for M/s. L&T Construction, Hyderabad Metro Rail Project.
- ❖ Currently, We are doing Home Electrification Works near Gurgaon with L & T Electrical Services, India.

- ❖ **Consultancy for 132kV Bay Extension and 7.5kms Transmission Line for M/s. Gerdau Steels India Limited, Tadipatri**
- ❖ **72MW EPC work is under Process with Adani Group at Chennai**
- ❖ **220/132/33kV Substation and transmission lines Erection Supervision at Maharashtra, for M/s. ECI Engineering & Construction Company, Hyderabad**
- ❖ **Testing & Calibration of relays and meters at M/s Sree Jayajothi Cements Ltd., Kurnool, Andhra Pradesh**

Renewable energy products are also one of the main sectors we concentrate

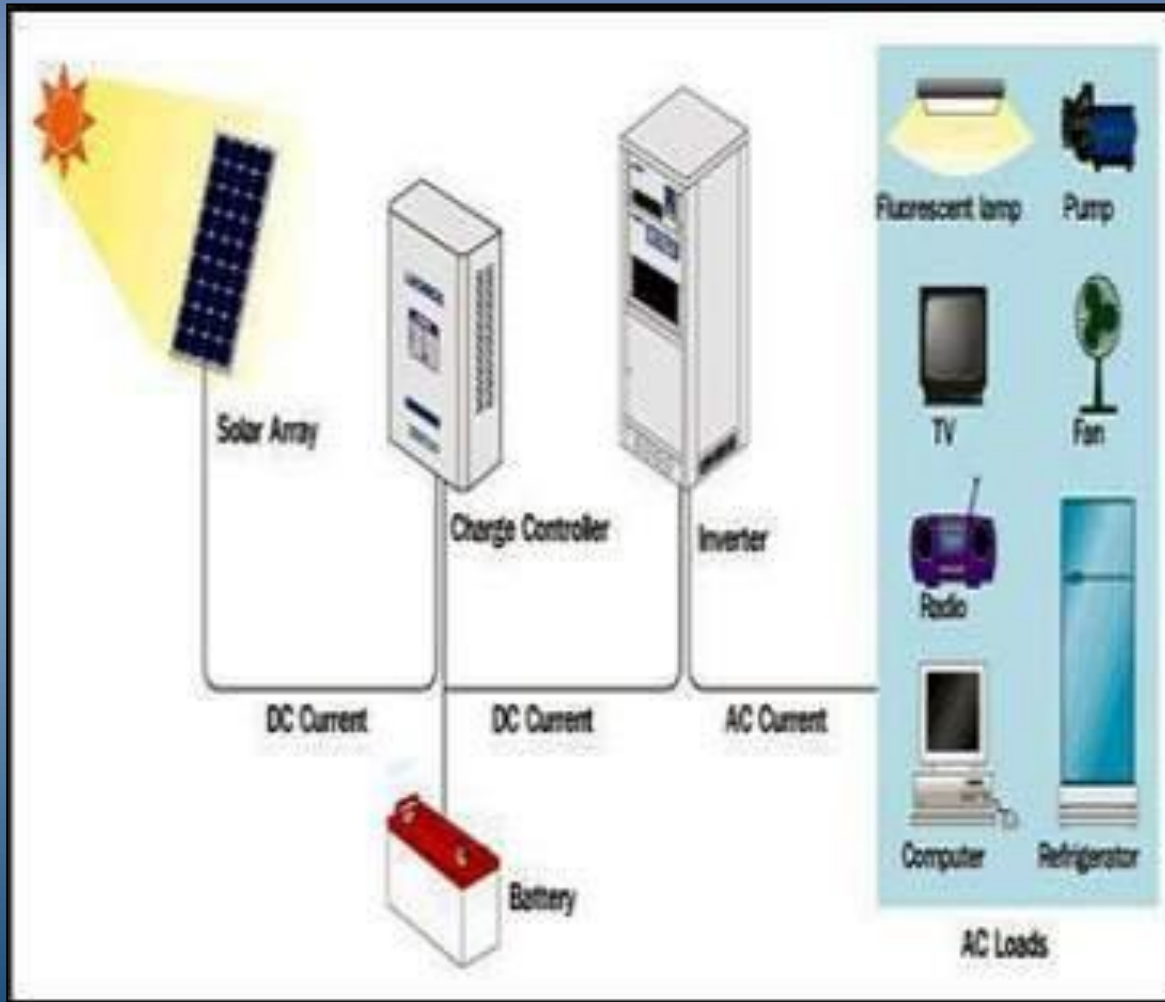
These renewable energy products include



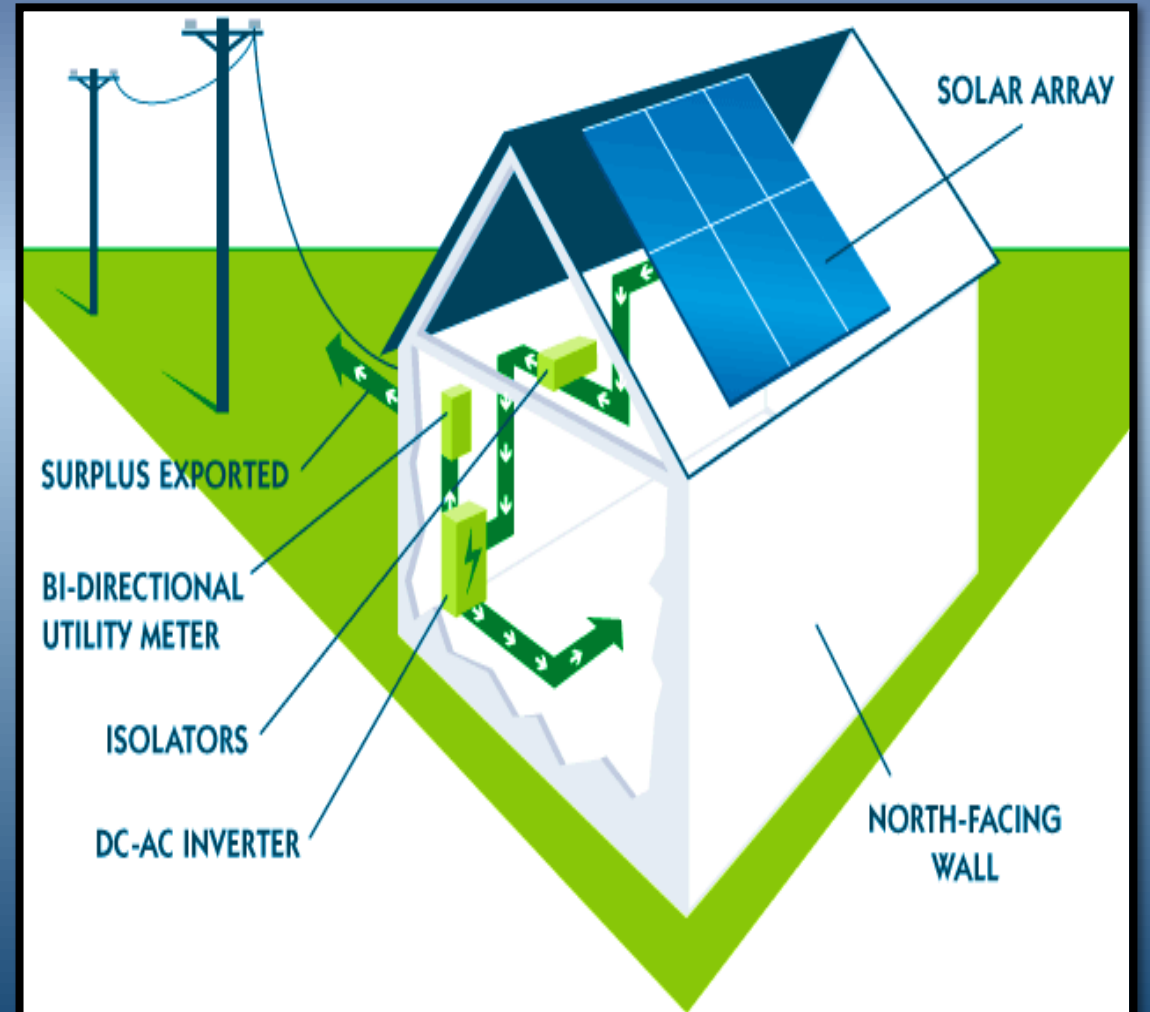
- ➔ Solar pump sets.
- ➔ Solar Rooftops.
- ➔ Street Lights.
- ➔ Solar Fencing.
- ➔ Solar Water Heaters



OFF GRID [INVERTER CONNECTION]



ON GRID [NET METERING]



Our Projects In SOLAR

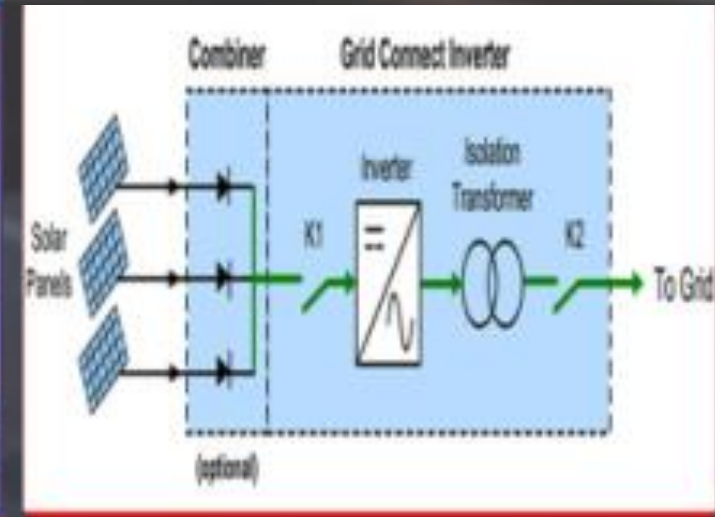
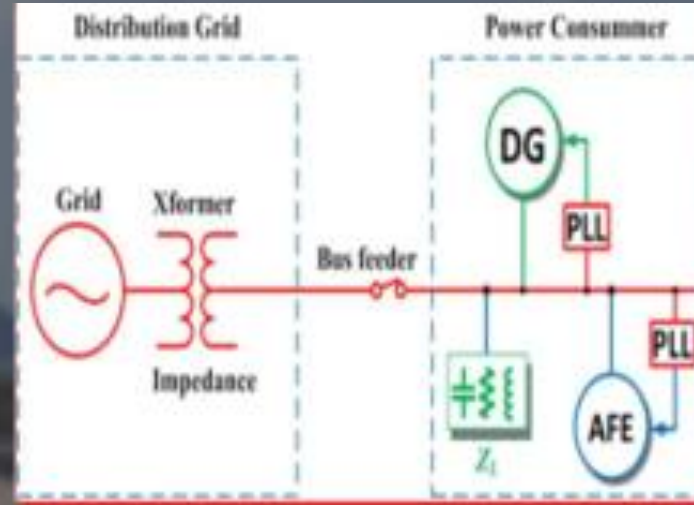
- ❑ Total Capacity of kWp with grid[On Grid] is around 500kWp and 100kWp for off-grid in the areas of Telangana & Andhra Pradesh respectively
- ❑ Our Prestigious Project 350kWp Grid Connected Solar Rooftop is at Kodad, Telangana
- ❑ Currently projects towards Educational institutions around the areas of Vijayawada, Hyderabad and Nellore

Our Projects In SOLAR

- ❑ Two 5 MW Projects in process with Cyber City Builders, Hyderabad
- ❑ As an Associate Our Company Completed a 2.34MW Switchyard Project at Mulugu , Warangal
- ❑ Recently, We executed One 5 MW Solar Power Plant with Abhijit Solar Systems Pvt Ltd, Hyderabad.

Plant Services

- ❖ Grid synchronization
- ❖ Auto synchronization
- ❖ LT & HT panels
- ❖ Isolator panels etc.,



LT Panel

- Design and conceptualization based on Client design and specifications.
- Preparation of detailed drawings, site set out.
- Type-Draw out/Non Draw out.
- Application-Power & Distribution.
- Type- Indoor/Outdoor.
- IP54 protection.
- Low maintenance required.

HT Panel

- ❖ High Tension Line Work up to 11KV
- ❖ Heat Shrinkable Cable Jointing Kits
- ❖ Power Transformer & Metering Panels.
- ❖ Leasing Work as per SEB rules & regulations

Isolator Panels

Features:

- ❖ Hassle free functionality
- ❖ Negligible maintenance
- ❖ Low power consumption
- ❖ Robust design



Manufactures And Suppliers:

- ✓ Lab Testing Equipment's for Cables & Conductors, P.V.C Pipes, Switches, Sockets and Electrical Appliances.
- ✓ Suppliers, Fabricators, Servicing and Calibration of all types of Testing Equipment's
- ✓ All type of LED Lighting Systems, LED Street Lights, Solar Fencing Energizers, LED Bulbs, LED Drivers, Inverters, Generators



CLIENTS & ASSOCIATES:



Contact Us:

Tel: (+91)40 - 65352020 [Off]
Mob: 8897999931, 9515116642

Thank you! 😊

S Cube Energy and` Infra Private Limited

Corporate Office:	Regd. Office & Factory:
Flat No 101 B, Jyothi Enclave, Sardar Patel Nagar, Kukatpally, Hyderabad- 500085. Telangana State, India.	Plot No: 129 & 130, Ramakrishna Nagar,Vakalapudi, Kakinada-533005

Follow Us:



www.scubeenergyinfra.com